

ONE AND TWO WARMER POUROVER COFFEE BREWERS

Project

Date

Models

CPO-1P-15A
CPO-2P-15A
CPO-1P-CE
CPO-2P-CE

Item #

Quantity



Model CPO-1P-15A



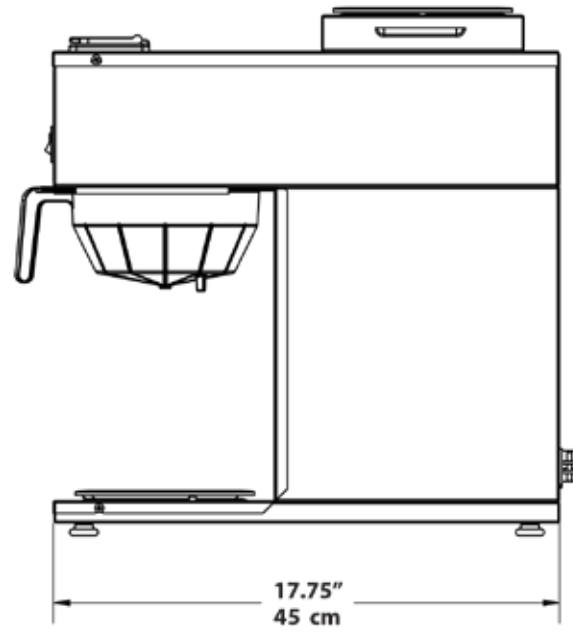
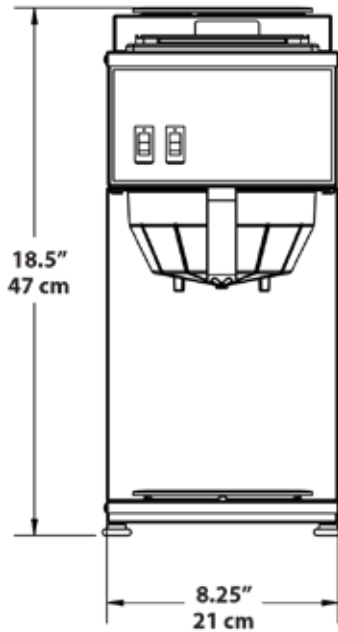
Model CPO-2P-15A

Features

- Solid and dependable portable pourover brewers.
- Stand-alone, temperature-controlled powerhouses brew directly into decanters.
- CPO-2P model has additional warmer to keep extra decanter of coffee ready to be served.
- All stainless steel construction.
- Completely portable unit.
- Requires no plumbing.
- 1.2 gallon (4.5 L) tank capacity.
- Compact 8.25" (21 cm) wide.



ONE AND TWO WARMER POUROVER COFFEE BREWERS



Model CPO-15A represented



MODEL	DESCRIPTION	ELECTRICAL	PRODUCT DIMENSIONS (H X W X D)	SHIPPING DIMENSIONS (H X W X D)	SHIP WEIGHT
CPO-1P-15A (0002-10001)	Warmers - 1 bottom NSF Sanitation, cNSFus Electrical Certification	120V / 15A 1.5 kW / 1 Ph	17.5" x 8.25" x 17.75" (44 cm x 21 cm x 45 cm)	27.5" X 12.5" X 18.5" (70 cm x 32 cm x 47 cm)	44 lbs. (20 kg)
CPO-2P-15A (0002-20001)	Warmers - 2 total: 1 top and 1 bottom NSF Sanitation, NSF Electrical Certification	120V / 15A 1.6 kW / 1 Ph	18.5" x 8.25" x 17.75" (47 cm x 21 cm x 45 cm)	23" x 12.5" x 24" (58 cm x 32 cm x 61 cm)	26 lbs. (11.8 kg)
CPO-1P-CE (0002-10004)	Warmers - 1 bottom	230V / 50/60 Hz 2.41 kW / 10.5A	17.5" x 8.25" x 17.75" (44 cm x 21 cm x 45 cm)	23" x 12.5" x 24" (58 cm x 32 cm x 61 cm)	26 lbs. (11.8 kg)
CPO-2P-CE (0002-20004)	Warmers - 2 total: 1 top and 1 bottom	230V / 50/60 Hz 2.51 kW / 10.9A	18.5" x 8.25" x 17.75" (47 cm x 21 cm x 45 cm)	23" x 12.5" x 24" (58 cm x 32 cm x 61 cm)	26 lbs. (11.8 kg)

Electrical: NEMA 5-15P or 5-20P line cord included.

Note: Decanters sold separately.